

VIRGINIA DIVISION OF MINERAL RESOURCES
 Box 3667, Charlottesville, VA 22903

INTERVAL SHEET

Page 1 of 1

Well Repository No.: W-7357

Date rec'd:

Date Processed: 4/23/97

Sample Interval: from 10 to 310

PROPERTY: Land 'or Utility (Deep Well #8)

Number of samples: 17

COMPANY: Sydnor Hydrodynamics, Inc.

Total Depth: 327'

COUNTY: Spotsylvania

Oil or Gas: Water: Exploratory:

From-To	From-To	From-To	From-To	From-To
-	-	-	-	-
10 - 20	-	-	-	-
20 - 30	-	-	-	-
30 - 40	-	-	-	-
40 - 50	-	-	-	-
50 - 60	-	-	-	-
60 - 70	-	-	-	-
70 - 80	-	-	-	-
80 - 90	-	-	-	-
90 - 100	-	-	-	-
-	-	-	-	-
110 - 20	-	-	-	-
130 - 40	-	-	-	-
-	-	-	-	-
160 - 70	-	-	-	-
-	-	-	-	-
-	-	-	-	-
770 samples	-	-	-	-
-	-	-	-	-
-	-	-	-	-
260 - 70	-	-	-	-
70 - 80	-	-	-	-
80 - 40	-	-	-	-
90 - 300	-	-	-	-
300 - 10	-	-	-	-
-	-	-	-	-
-	-	-	-	-
-	-	-	-	-

unwashed only.

Form GW-2
7-10,000

COMMONWEALTH OF VIRGINIA WATER WELL COMPLETION REPORT

• BWCM No. _____

(Certification of Completion/County Permit)

State Water Control Board
P. O. Box 11143
11 North Hamilton St.
Richmond, Va. 23230

County/City SPOTSYLVANIA COUNTY

County/City Stamp

SWCB Permit _____
 County Permit _____

Certification of inspecting official:
 This well does _____ does not: _____
 meet code/low requirements.
 S. _____
 Date _____

For Office Use

Virginia Plane Coordinates
 _____ N
 _____ E
 Elevation & Longitude
 _____ N
 _____ W
 Topo. Map No. _____
 Elevation _____ ft.
 Formation _____
 Geology _____
 River Basin _____
 Province _____
 Core Logs _____
 Settings _____
 Water Analysis _____
 Turbidity Test _____

• Owner Land/Or Utility

• Well Designation or Number Deep Well # 8
 Address P.O. Box 100
Ladysmith, VA 22501
 Phone (804) 448-4676

• Drilling Contractor Sydnor Hydrodynamics, Inc.
 Address 2111 Magnolia Street
Richmond, VA 23223
 Phone (804) 643-2725

Tax Map I.D. No. _____
 Subdivision _____
 Section _____
 Block _____
 Lot _____
 Class Well: I _____, IIA _____,
 IIB _____, IIIA _____, IIIB _____,
 IIIC _____, IIID _____, IIIE _____

WELL LOCATION: 81' (feet) SSW (direction) of ADDY DRIVE
 and 1431 feet NE (direction) of Oxford Drive
 (If possible please include map showing location marked)

Date started 2/27/96 • Date completed 3/ 6/96 Type rig Air Rotary

1. WELL DATA: New Reworked _____ Deepened _____

Total depth 327 ft.
 Depth to bedrock 98 ft.

Well size (Also include reamed zones)

- 10 inches from 0 to 101 ft.
- 6 inches from 101 to 327 ft.
- _____ inches from _____ to _____ ft.

Casing size (I.D.) and material

- 6" inches from +2 to 101 ft.
 Material Steel
 Wt. per foot 18.97 or wall thickness .28 in.
- _____ inches from _____ to _____ ft.
 Material _____
 Wt. per foot _____ or wall thickness _____ in.
- _____ inches from _____ to _____ ft.
 Material _____
 Wt. per foot _____ or wall thickness _____ in.

Screen size and mesh for each zone (where applicable)

- N/A inches from _____ to _____ ft.
- Mesh size _____ Type _____
 _____ inches from _____ to _____ ft.
- Mesh size _____ Type _____
 _____ inches from _____ to _____ ft.
- Mesh size _____ Type _____
 _____ inches from _____ to _____ ft.
- Mesh size _____ Type _____
 _____ inches from _____ to _____ ft.

Well pack

From n/a to _____ ft.
 From _____ to _____ ft.

From 0 to 101 ft., Type Neat Cement
 From _____ to _____ ft., Type _____

2. WATER DATA • Water temperature _____ OF

- Static water level (unpumped level-measured) 17 ft
- Stabilized measured pumping water level 151.7 ft
- Stabilized yield 33 gpm after 2 hours

Natural Flow: Yes _____ No flow rate _____ gpm

Comment on quality _____

3. WATER ZONES: From 104 to 105
 From 226 To 227 From _____ To _____
 From _____ To _____ From _____ To _____

4. USE DATA:

Type of use: Drinking Livestock Watering _____
 Irrigation _____ Food processing _____ Household _____
 Manufacturing _____ Fire safety _____ Cleaning _____
 Recreation _____ Aesthetic _____ Cooling or heating _____
 Injection _____ Other _____

• Type of facility: Domestic _____, Public water supply
 Public institution _____ Farm _____, Industry _____
 Commercial _____, Other _____

5. PUMP DATA: Type N/A • Rated H.P. _____
 • Intake depth _____ • Capacity _____ at _____ head

6. WELLHEAD: Type well seal N/A
 Pressure tank _____ gal., Loc. _____
 Sample tap _____, Measurement port _____
 Well vent _____, Pressure relief valve _____
 Gate valve _____, Check valve (when required) _____
 Electrical disconnect switch on power supply _____

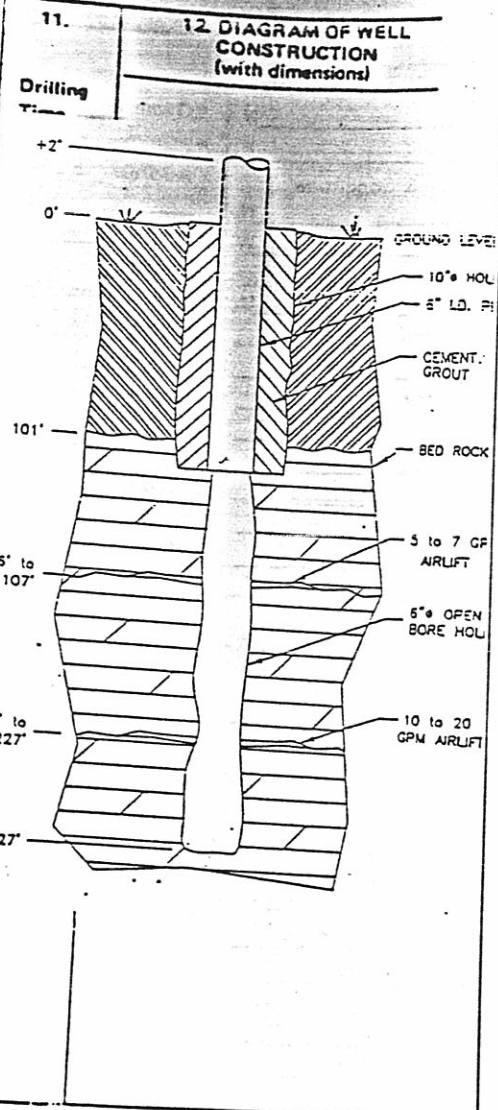
7. DISINFECTION: Well disinfected yes _____ no _____
 Date 3/5/96, Disinfectant used HTH
 Amount 5 lbs, Hours used 24 hours

8. ABANDONMENT (where applicable) • yes _____ no _____
 Casing pulled yes _____ no not applicable
 Plugging grout From _____ to _____ material _____

9. State law requires submitting to the Virginia State Water Control Board information about groundwater and wells for every well made in the State intended for water, or any other non-exempt well. This information must be submitted whether the well is completed, on standby, or abandoned. Information required includes: an accurately and completely prepared water well completion report, full data from any aquifer pumping tests, drill cuttings taken at ten foot intervals (unless exemption is secured), the results of any chemical report, and copies of any geophysical logs. Quarterly pumpage and use reports are required from owners of public supply and industrial wells. County or State permits to drill may be required in some parts of the state. Some counties require submission of a water well completion report. The Virginia State Health Department requires a water well completion report for public supply wells.

10. DRILLERS LOG (use additional sheets if necessary)

DEPTH (feet)		TYPE OF ROCK OR SOIL (color, material, fossils, hardness, etc.)	REMARKS (water, caving, cavities, broken, core, shot, etc.)
From	To		
0	1	Top Soil	
1	22	Red Clay	
22	44	Red Clay & Fine Sand	
44	62	Red Sandy Clay	
62	98	Soft Weathered Rock	
98	104	Soft Solid Rock	
104	105	Soft Fractured Rock	
105	150	Weathered Rock & Sandstone mix	5 to 7 GPM Airlift
150	226	Lite & Dark Granit	
226	227	Soft Granite	
227	327	Lite & Dark Granite	10 - 12 GPM Airlift



13. Well lot dedicated? Yes size 125 ft. x 125 ft.; Well house? N/A
 Distance to nearest pollutant source N/A ft.; Type N/A
 Distance to nearest property line 81 ft.; Building _____ ft.

14. WATER SERVICE PIPE: Checked under _____ p.s.i. for _____ minutes. Pipe size _____ inches, Material _____
 Installer _____
 Date _____

15. I certify that the information contained herein is true and correct and that this well and/or system has been installed and constructed in accordance with the requirements for well construction as specified in compliance with appropriate county or independent city ordinances and the laws and rules of the Commonwealth of Virginia.

Signature [Handwritten Signature] (Seal), Date 3/15/96
 (Well driller or authorized person) License No. _____

State Water Control Board Regional Offices

Valley Reg. Off.
 116 North Main Street
 P. O. Box 268
 Bridgewater, Va. 22812
 703-628-2595

Southwest Reg. Off.
 408 East Main Street
 P. O. Box 476
 Abingdon, Va. 24210
 703-628-5183

West Central Reg. Off.
 Executive Park
 3312 Peters Creek Road
 Roanoke, Va. 24019
 703-982-7432

Piedmont Reg. Off.
 4010 West Broad Street
 P. O. Box 6616
 Richmond, Va. 23230
 804-257-1006

Tidewater Reg. Off.
 287 Pembroke Office Park
 Suite 310 Pembroke No. 2
 Va. Beach, Va. 23462
 804-499-8742

Northern Virginia Reg. Off.
 5515 Cherokee Avenue
 Suite 404
 Alexandria, Va. 22312
 703-750-9111